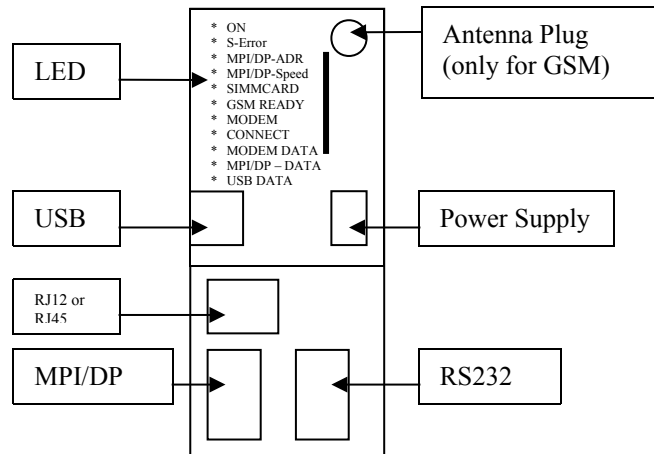


Handling-Shortinstruction for

Tele-Service Analogue/ISDN/GSM V1.7

Interface-picture:



Connectors:

Analogue-Modem:

Connection to a similar telephone-jack by means of phone-line. Only the two middle contacts of the RJ-12-plug (4/6) are recommended. It is to be placed surely that also the phone-lines (a and b) is presented there. There are no shortings in the plug nor in the socket necessarily.

ISDN:

Connection to a similar phone-jack to an ISDN-phone-line. There should be the four middle pins connected in the RJ-45-plug (3/4/5/6). Be sure that there is the correct pinning used for the phone line (RX+,TX+,TX-,RX-).

GSM:

Connection to an external antenna by an male FME-Plug.

MPI/DP:

This female-plug is occupied concerning the bus and mass like a plc. The Tele-Service can be attached with the delivered Interface-cable

cable directly to the PLC or the Profibus. In addition, a Profibus connector can be used also.

You can connect to a MPI or Profibus- system with a transfer-rate from 9600 Baud up to 12M Baud.

PC(RS232)-Plug:

The connection to the PC is accomplished by a 9pin null-modem-cable. This plug is completely occupied like a PC with a serial connector. a PC/PG can be directly attached, and with the driver "TS-Adapter" or "PC-Adapter" the Simatic manager could access the TeleService or PLC.

USB-Plug:

The PC is connected over an USB-Hub with a type-A to type-B USB-cable. Download and install from the named website the TIC, after that the Simatic-Manager could access the PLC with the driver „TIC ETH/USB”.

Power-Supply:

The Tele-Service expects an operating voltage of 24V DC with a tolerance of $\pm 20\%$. The current is up to 200mA. As the Tele-Service in the picture is shown, from top to bottom the pinning of the power-jack is as follows:.

+24V DC
0V

PE is connected over the rack !

The allocation is likewise printed on the case.

Controll-LED:

The device possesses 10 status LED's for additional communication to the user. These 10 LED are used as follows:

LED	Color	Description
ON	Green	Power is on
Σ-ERROR	Red	An error has occurred
MPI/DP-ADR	Red	The configured local station-address is already in the bus
MPI/DP-SPEED	Red	The configured Baud rate in the MPI/DP Bus is wrong or transmitter errors
SIMMCARD	Red	PIN-Number of SIM-Card wrong or not configured
GSM READY	Yellow	OFF = no power on modem ON = no authentication on GSM flashing 200ms/2s = correct authentication on GSM flashing 200ms/600ms = communication on line
MOD.CONNECT	Yellow	Modem is connected
MODEM DATA	Yellow	Short flashes when sending/receiving data over the phone line
MPI/DP DATA	Yellow	Short flashes when sending/receiving data on the MPI/DP-Bus
USB DATA	Yellow	Short flashes when sending/receiving data on the USB-Port

Attention: The SIMMCARD-error-LED is automatically ON for GSM-devices, when the simmcard is not plugged or while plugged simmcard the pin-code is not or wrong configured.

First-Configuration:

ATTENTION: Tele-Service GSM must eventually be opened to insert the SIM-Card. Only SIM-Cards with 3V power supply are possible. Read Manual before open or using!

At first connect the MPI/Profibus and the phone-jack or external Antenna to the Tele-Service. After that connect the power-supply. At boot-time the Tele-Service is checking the hardware.

The configuration of the Tele-Service is done with the Tele-Service-Application from Siemens. For the SMS-Mode you must download and install and use the TIC from the named web-side.

Mechanical Data:

Dimension (WxHxD): 40 x 125 x 115 mm
Case type: ABS,V0

Possible telephone-connection- and communication types:

		TeleService		
		Analogue	ISDN	GSM
PG/PC-Modem	Analogue	YES	NO	YES
	ISDN	YES, if analogue-emulation is provided (f.e. Fritz-Card)	YES	YES, if analogue-emulation is provided (f.e. Fritz-Card)
	GSM (f.e.M20-terminal)	YES	NO	YES

More to the Tele-Service as well as the current equipment manual can you download under:

<http://www.process-informatik.de>

In the version "ohne Profibus" there are baudrates up to 12MBaud (MPI and programming over profibus), but not DP V0 / V1 / V2

DP V0 / V1 / V2 in the version "mit Profibus" is in prepare.